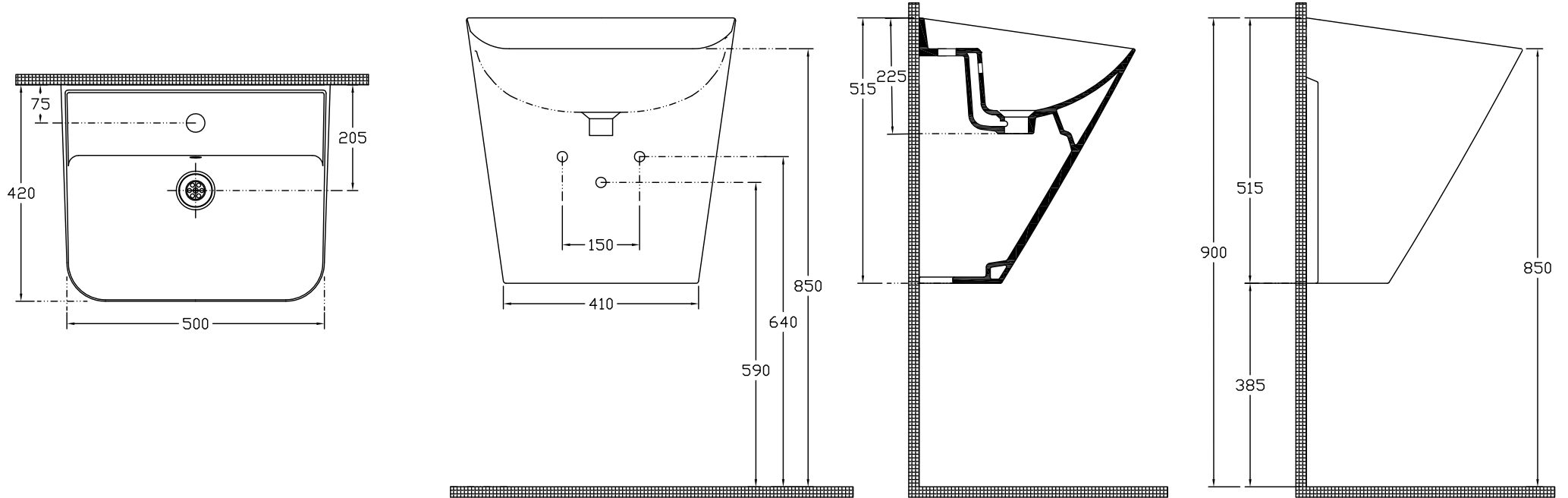




ISVEA

1962 ITALIA

TECHNICAL DRAWING / TEKNİK ÇİZİM



CODE / KOD : 10SQ37002 SV

DESCRIPTION / AÇIKLAMA : SOTT' AQUA MONOBLOK ASMA LAVABO

TOLERANCE / TOLERANS : 100 mm \pm 1 %