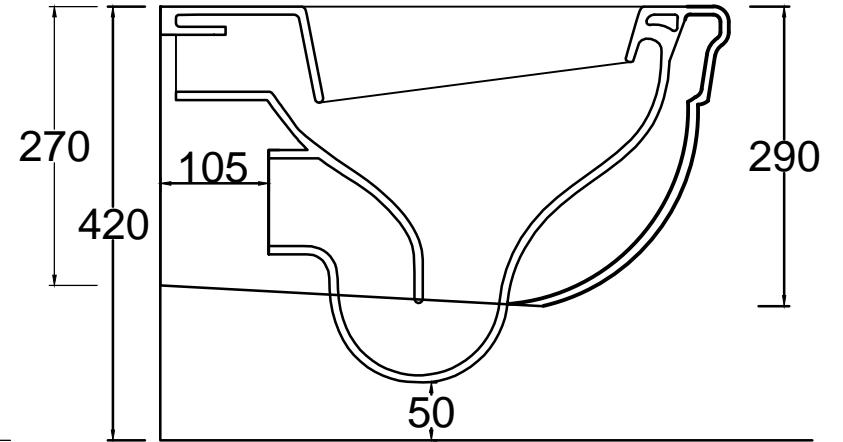
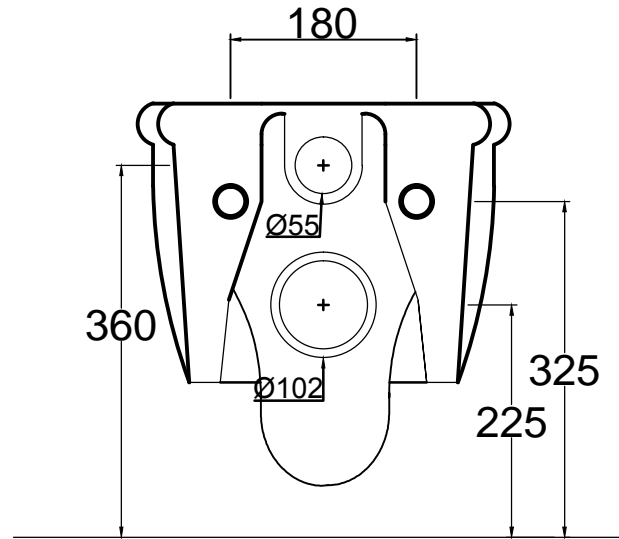
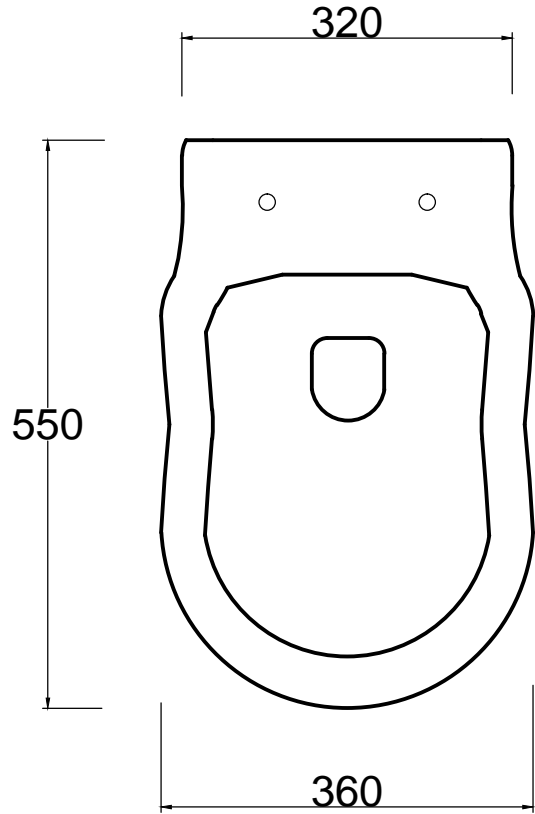




ISVEA

1962 ITALIA

TECHNICAL DRAWING / TEKNİK ÇİZİM



CODE / KOD : 10RE02001

DESCRIPTION / AÇIKLAMA : REGINA WALL HUNG CLOSET / REGİNA ASMA KLOZET

TOLERANCE / TOLERANS : 100 mm ± 1 %