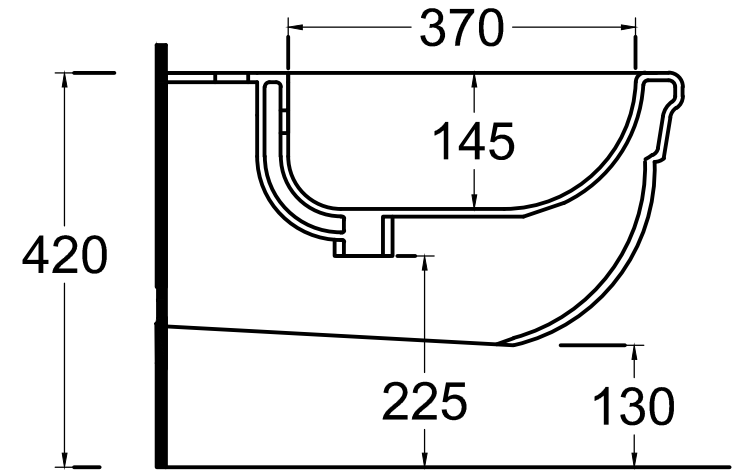
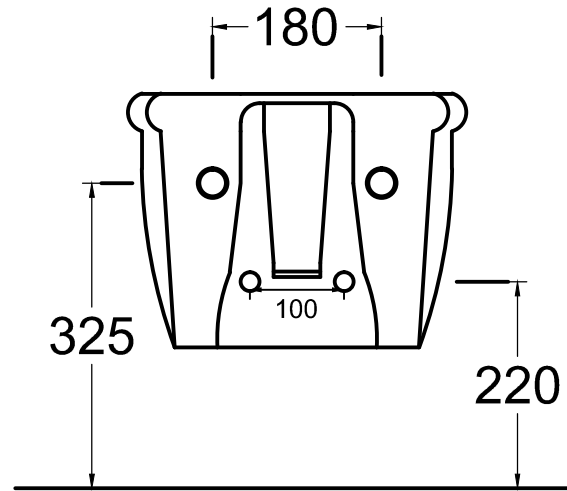
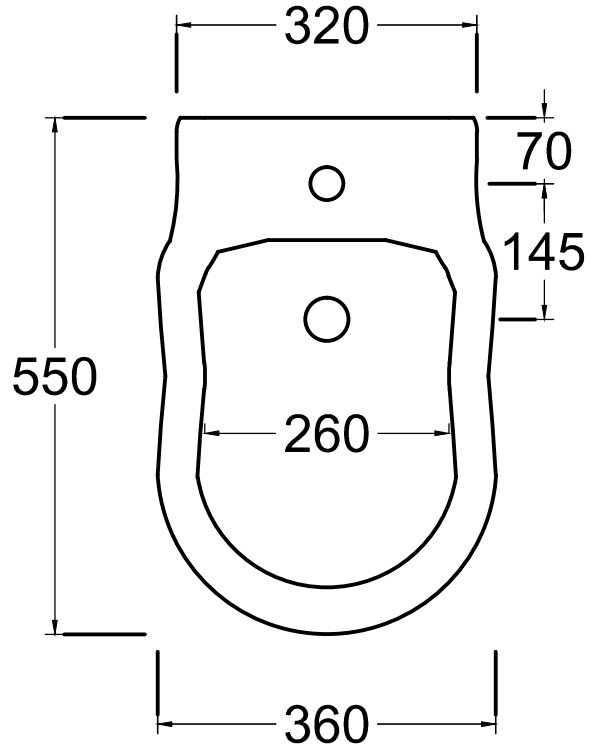




ISVEA

1962 ITALIA

TECHNICAL DRAWING / TEKNİK ÇİZİM



CODE / KOD : 10RE41001

DESCRIPTION / AÇIKLAMA : REGINA WALL HUNG BIDET / REGİNA ASMA BİDE

TOLERANCE / TOLERANS : 100 mm ± 1 %