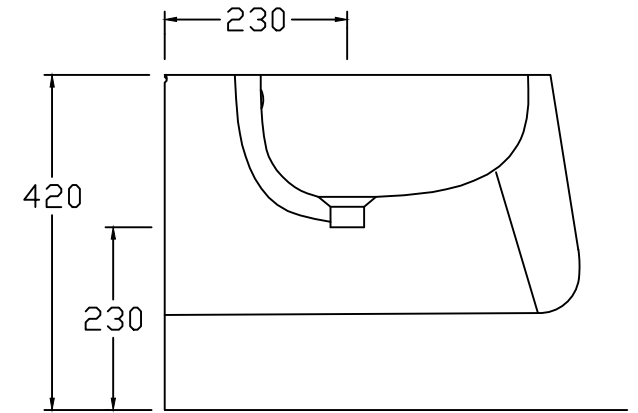
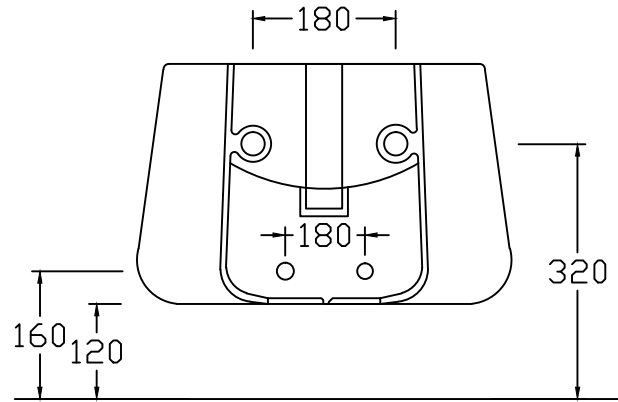
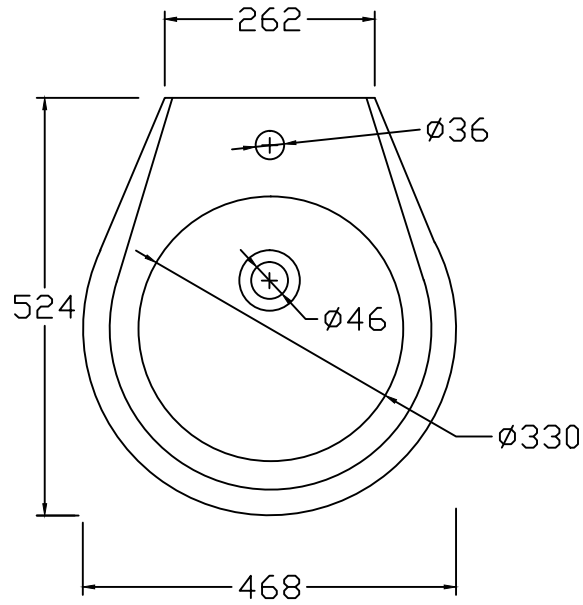




# ISVEA

1962 ITALIA

TECHNICAL DRAWING / TEKNİK ÇİZİM



CODE / KOD : 10AL41001

DESCRIPTION / AÇIKLAMA : ALLEGNO WALL HUNG BIDET / ALLEGNO ASMA BİDE

TOLERANCE / TOLERANS : 100 mm ± 1 %