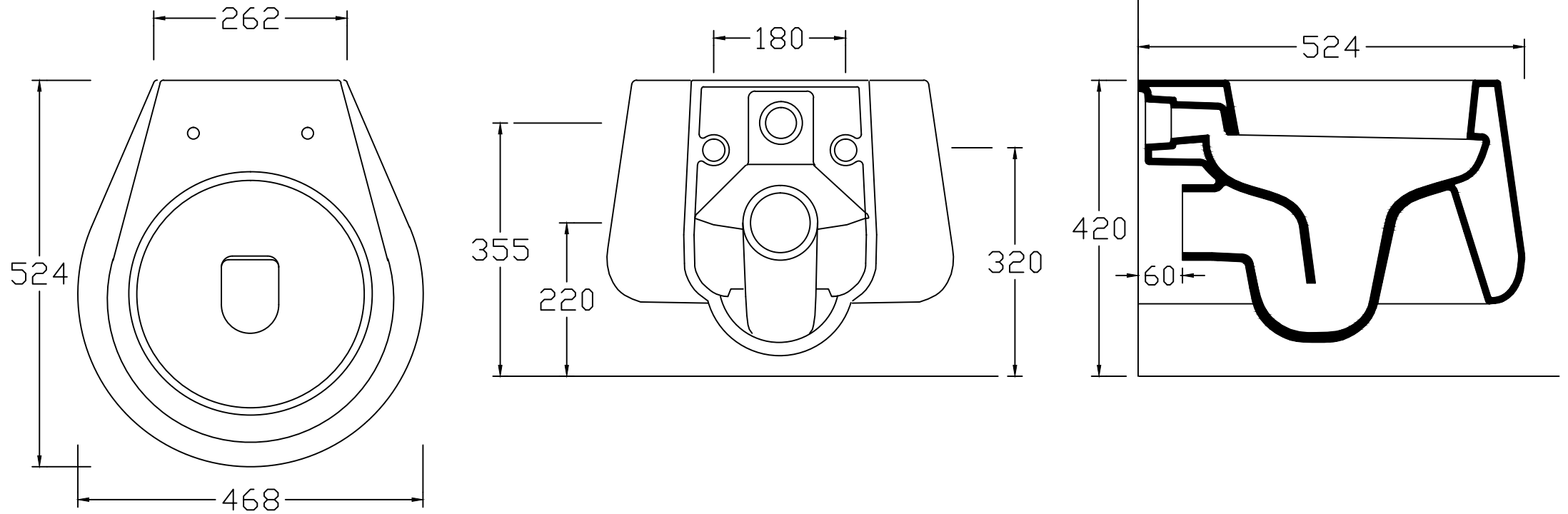




# ISVEA

1962 ITALIA

TECHNICAL DRAWING / TEKNİK ÇİZİM



CODE / KOD : 10AL02001

DESCRIPTION / AÇIKLAMA : ALLEGRO WALL HUNG CLOSET / ALLEGRO ASMA KLOZET

TOLERANCE / TOLERANS : 100 mm ± 1 %