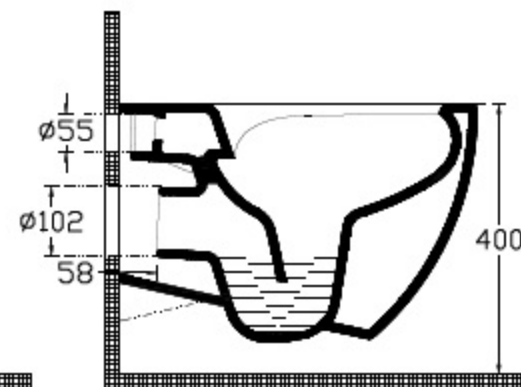
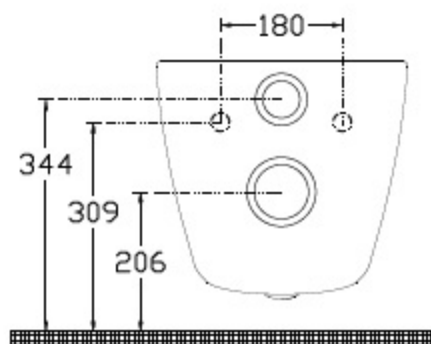
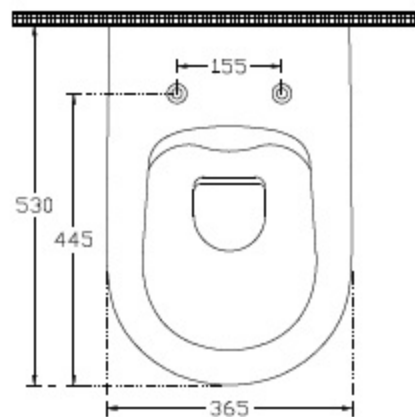




ISVEA

1962 ITALIA

TECHNICAL DRAWING
TEKNİK ÇİZİM



CODE / KOD : 10NF02001

DESCRIPTION / AÇIKLAMA : INFINITY CLEAR-İM WALL HUNG CLOSET / INFINITY CLEAR-İM ASMA KLOZET

TOLERANCE / TOLERANS : 100 mm ± 1 %