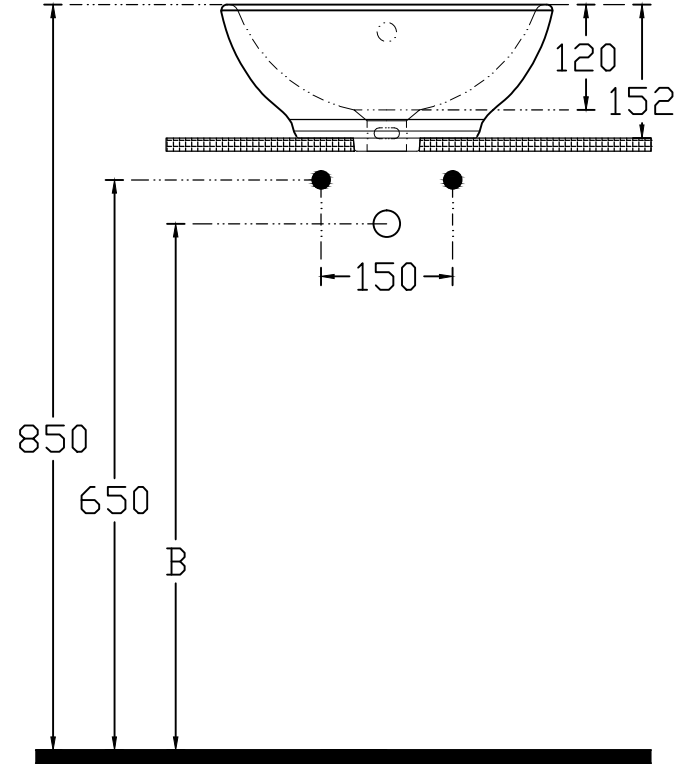




130\*recommended dimensions



CODE / KOD : K 0819 IS

DESCRIPTION / AÇIKLAMA : STRADA O VESSEL BASIN Ø 38 cm / STRADA O ÇANAK LAVABO Ø 38 cm

TOLERANCE / TOLERANS : 100 mm ± 1 %

A 2305 AA	B (MIN.)	B (MAX.)
	568	633
K 0103 AA	B (MIN.)	B (MAX.)
	463	553