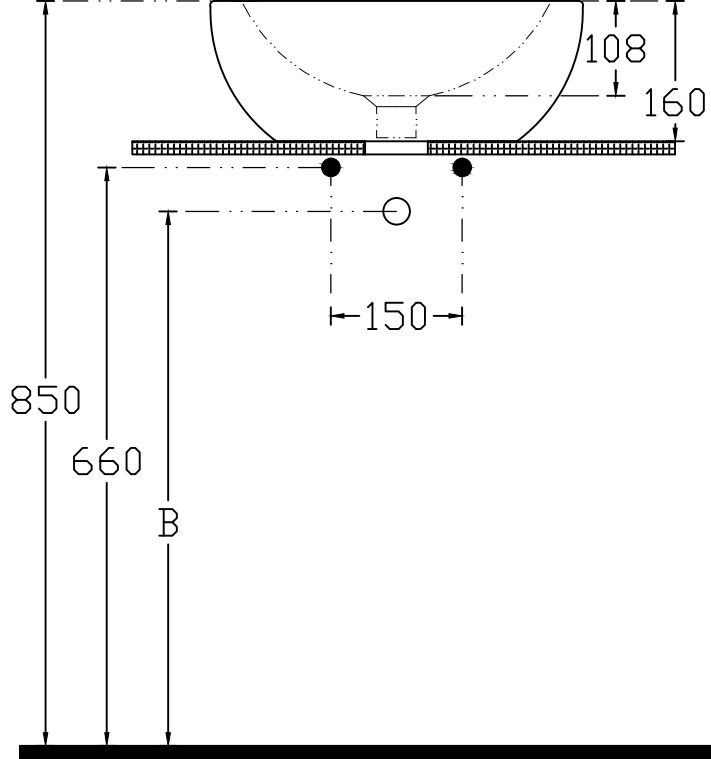




$130^* =$  recommended dimensions



A 2305 AA	B (MIN.)	B (MAX.)
	579	644
K 0103 AA	B (MIN.)	B (MAX.)
	474	566